

**Paustian  
ASAP  
Chair  
Design  
Foersom & Hiort-  
Lorenzen**

**paustian**



## FOERSOM & HOIRT-LORENZEN

The designer duo Johannes Foersom (1947) and Peter Hiort-Lorenzen (1943) got its start in 1977 and since then, their thoughtful design has qualified them as some of the best contemporary Danish designers.

Foersom & Hiort-Lorenzen have created some of today's best chairs, which is due to their focus on the chair as a sensual reflection of the body.

The duo has designed for Paustian the stackable armrest chair 'ASAP Chair' and the table 'ASAP Table' that fits well into both modern and classic environments. Paustian ASAP Chair is the winner of red dot design award 2012 and Paustian ASAP Table is the winner of red dot design award 2013.

## DESCRIPTION

The chair, in slender steel and plastic, has been assembled into a homogeneous whole in black or white, further reinforced by textile or leather options for the framed and padded seat.

The seat covering for the ASAP Chair is available as standard in various types of textile or leather. The chair's design allows for compact stacking without compromising the visual expression (up to five chairs can be stacked at a time).

## MATERIALS

The chair consists of a painted steel frame (RAL 9010 white or RAL 9011 black) and a backrest, together with a seat frame in eco-friendly, UVresistant ASA plastic in the same colour.

The padded seat is available with textile or leather covering.

## VARIANTS

Paustian ASAP Chair is available as standard in the following variants:

- white or black chair with padded seat
- glides in transparent plastic for white frame, and in black plastic for black frame (felt glides available on request)

Upholstery in;

- Textile Category 1
- Textile Category 2
- Textile Category 3
- Textile Category 4
- Textile Category 5
- Leather Category 1
- Leather Category 2
- Leather Category 3
- Leather Category 4
- Leather Category 5

The seat can also be upholstered in customer-chosen material (COM fabric) or leather (COM leather).

## MAINTENANCE

The chair should be cleaned using ordinary washing-up liquid, and subsequently wiped with a cloth wrung in clean water. Never use alcoholbased products.

When wiping the chair, avoid touching the padded seat.

Fabric should be cleaned according to the recommendations of the textile supplier.

Leather should be cleaned according to the recommendations of the leather supplier.

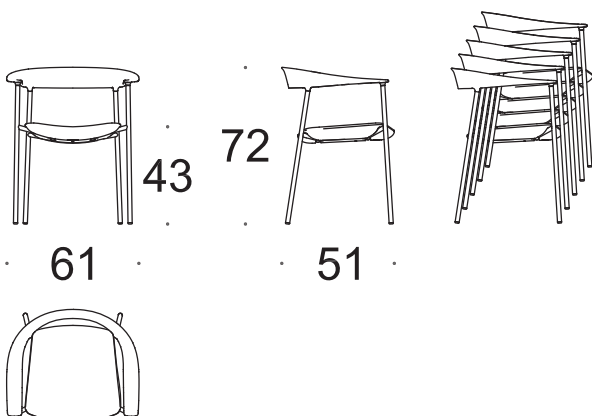
## ENVIRONMENT AND TESTS

The chair can be dismantled and the upholstery elements can be recycled.

The chair has been tested according to: EN 15373-2007

## GUARANTEE

Standard products are guaranteed for two years against manufacturing defects in the materials or construction. Wear or damages to the product are not covered by this guarantee. All dimensions are approximate.



Paustian  
ASAP  
Chair  
Design  
Foersom & Hiert-  
Lorenzen

# paustian

