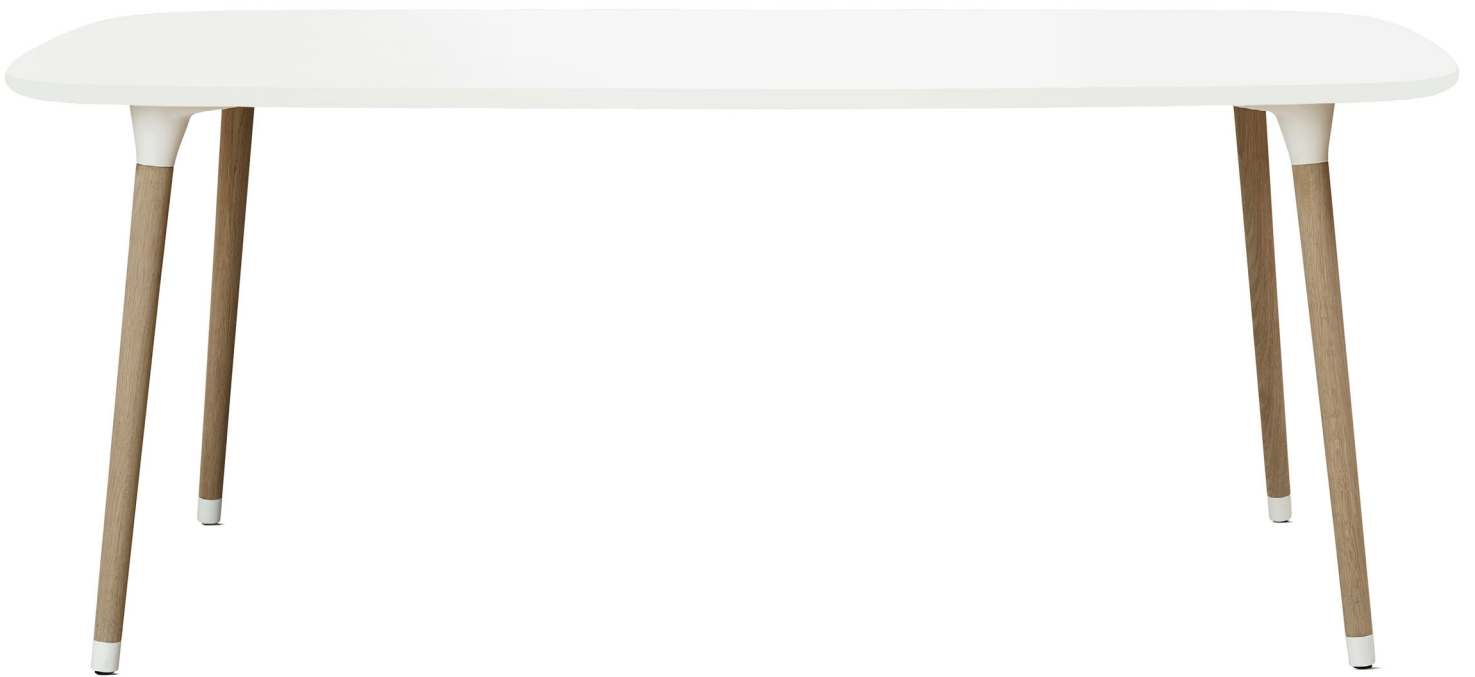


**Paustian
ASAP
Table
Design
Foersom
& Hiort-Lorenzen**

paustian



FOERSOM & HIORT-LORENZEN

The designer duo Johannes Foersom (1947) and Peter Hiort-Lorenzen (1943) got its start in 1977 and since then, their thoughtful design has qualified them as some of the best contemporary Danish designers.

Foersom & Hiort-Lorenzen have created some of today's best chairs, which is due to their focus on the chair as a sensual reflection of the body.

The duo has designed for Paustian the stackable armrest chair 'ASAP Chair' and the table 'ASAP Table' that fits well into both modern and classic environments. Paustian ASAP Chair is the winner of red dot design award 2012 and Paustian ASAP Table is the winner of red dot design award 2013.

DESCRIPTION

The interplay between the wood and the painted details produces a friendly and welcoming design idiom. The slightly angled legs help to give the table a dynamic appearance.

The table tops are available in smoked oak veneer, soap-treated solid natural oak or white laminate. The table legs, in either soap-treated natural oak or smoked oak, are fitted with foot covers in black or white moulded plastic, fitted with adjustable feet.

The ASAP Table is available in round, boatshaped and rectangular.

MATERIALS

The table tops come in three variants: a table top in 22 mm MDF with smoked oak veneer and varnished in clear lacquer; a table top with a white laminate surface or a table top in 25 mm soap-treated solid natural oak. The table tops in veneer and laminate have painted edges and undersides.

The table legs has either black or white powder coated aluminium flanges and adjustable feet in white or black moulded plastic. The leg comes in solid natural oak or solid smoked oak and together the detailing forms a single unit which is fitted to the table top. White (RAL 9010) or black (RAL 9017).

VARIANTS

Paustian ASAP Table is available as standard in the following variants;

- white laminate with white edges, white flanges, solid natural oak legs and white adjustable feet
- smoked oak veneer with black edges, black flanges, solid smoked oak legs and black adjustable feet
- solid natural oak with either white or black flanges, solid natural oak legs and white or black adjustable feet

MAINTENANCE

On laminated and lacquered veneer table tops, stubborn stains can be removed with a cloth wrung in lukewarm water. If this fails to remove the stain, a universal cleaning fluid in a dilute solution may be used, or washing-up liquid.

After cleaning with universal cleaning fluid or washing-up liquid, the table top should be wiped off with a cloth wrung in clean water, then dried with a dry cloth.

Soap-treated solid wood can be cleaned by wiping with a clean, dry, soft cloth.

Soiled surfaces should be wiped off with a cloth wrung in a soap solution (1/4 dl soap flakes boiled in 1 litre water). The solution must be allowed to cool before using. The solution should be applied to the wood in the direction of the grain. Apply to entire surface, but make sure not to let the surface get too wet. Allow to stand for five minutes, then dry any soap remnants off with a soft cloth wrung in clean water.

Table tops should also be treated on the underside to avoid uneven drying. Never use lye soap or materials containing iron, as this may discolour the wood.

ENVIRONMENT AND TESTS

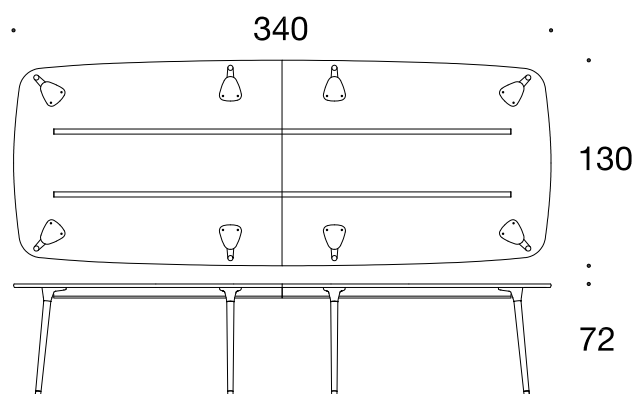
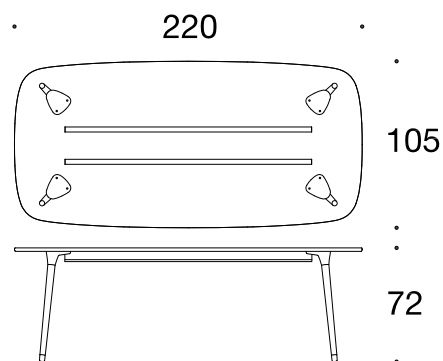
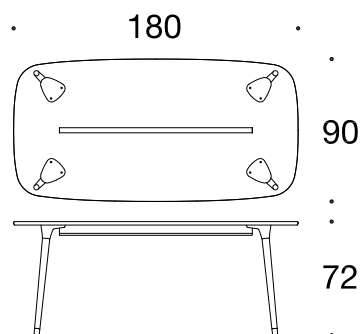
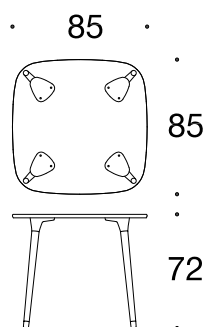
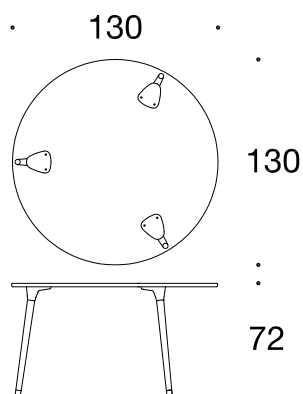
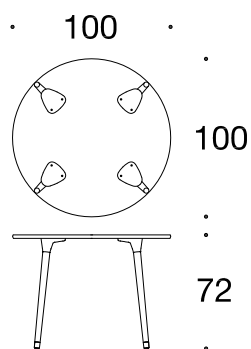
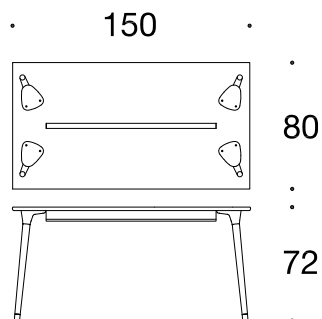
The table can be taken apart and recycled.

The table will be tested in accordance with the EN 1730:2000 standard.

GUARANTEE

Standard products are guaranteed for five years against manufacturing defects in the materials or construction. Wear or damages to the product are not covered by this guarantee. All dimensions are approximate.

Paustian
ASAP
Table
 Design
 Foersom
 & Hiort-Lorenzen



Paustian

Paustian
ASAP
Table
Design
Foersom
& Hiort-Lorenzen



paustian

Paustian
ASAP
Table
Design
Foersom
& Hiort-Lorenzen

paustian

