

**Paustian
Spinal
Table
Standard
Design
Paul Leroy**

paustian



PAUL LEROY

Paul Leroy (1960) has a degree in architecture, furniture design, graphic design and industrial design from the Academy of Fine Arts School of Architecture. Leroy has also been an apprentice under Professor Tage Lyneborg.

When he finished his studies he opened his own architectural firm in 1987, and the following year launched Leroy the Paustian Coffee Table. Since then, several design gems such as the Spinal series have followed in its wake.

DESCRIPTION

Paustian Spinal Table possess a simple modular structure. The many different table sizes and heights provide good and flexible arrangement possibilities. The table is ideal as a conference, canteen, meeting or office table, or as a dining table or coffee table in the home.

Paustian Spinal Table is related to the Spinal Chair series.

MATERIALS

The table top is a 25 mm MDF panel, available with laminate, linoleum or veneer.

The table top support is always in black powder coated aluminum. The frame is supplied in brushed matt chrome steel or powder coated steel with integrated adjustable feet. The supporting join bar is always in black powder coated steel.

VARIANTS

Table top in;
- laminate with black edges
- white dyed laminate with white edges
- linoleum with similar colored edges
- maple, oak or smoked oak veneer

Column in;

- brushed matt chrome
- black powder coated (RAL 9011, gloss 20)
- white powder coated (RAL 9010, gloss 20)

Foot in;

- brushed matt chrome
- black powder coated (RAL 9011, gloss 20)
- white powder coated (RAL 9010, gloss 20)

Glides in; raw or black anodized aluminum with plast or felt.

MAINTENANCE

The frame may be wiped with a dry or damp cloth. If a damp cloth is used, the frame should subsequently be dried with a dry cloth.

Stubborn stains on the table top may be removed using a cloth wrung in lukewarm water. If this fails to remove the stain, a universal cleaning fluid in a light solution may be used, or washing-up liquid.

After cleaning, the table top should be wiped off with a cloth wrung in clean water, then dried with a dry cloth.

ENVIRONMENT AND TESTS

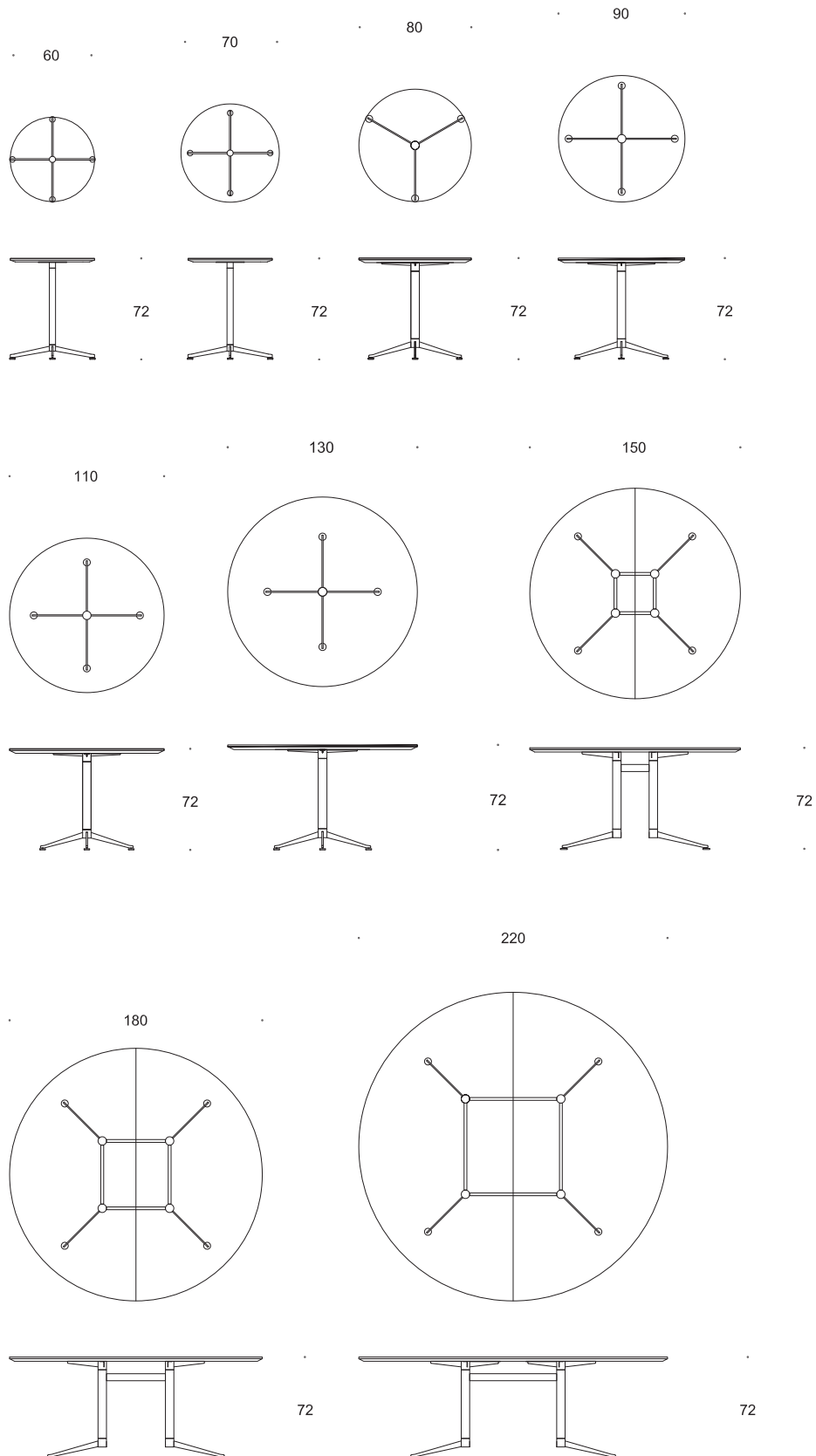
The frame may be separated from the table top and recycled. The table top can be sent for incineration.

The table has been tested according to EN 1730; DS/INF 131:2001, test step 4.

GUARANTEE

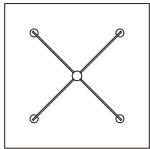
Standard products are guaranteed for five years against manufacturing defects in the materials or construction. Wear or damages to the product are not covered by this guarantee. All dimensions are approximate.

CIRCULAR



RECTANGULAR / SQUARE

90

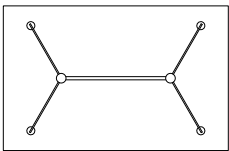


90



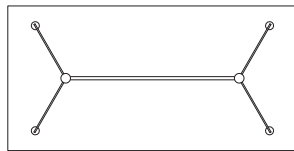
72

140



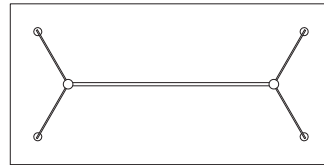
90

180

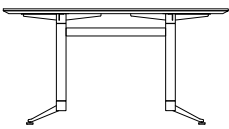


90

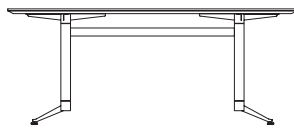
200



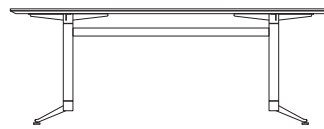
100



72



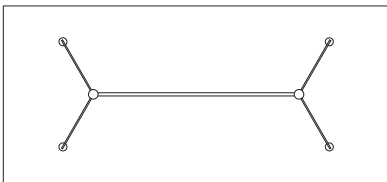
72



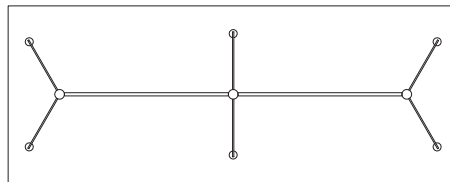
72

240

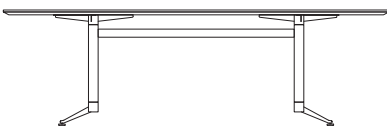
280



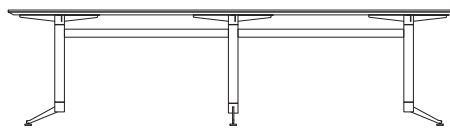
110



110



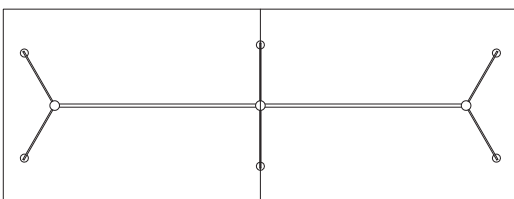
72



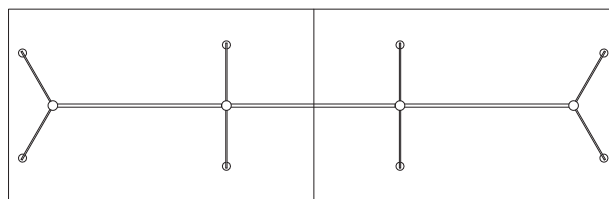
72

320

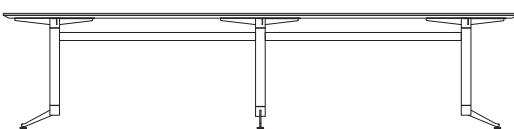
380



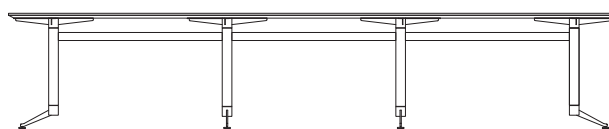
120



120

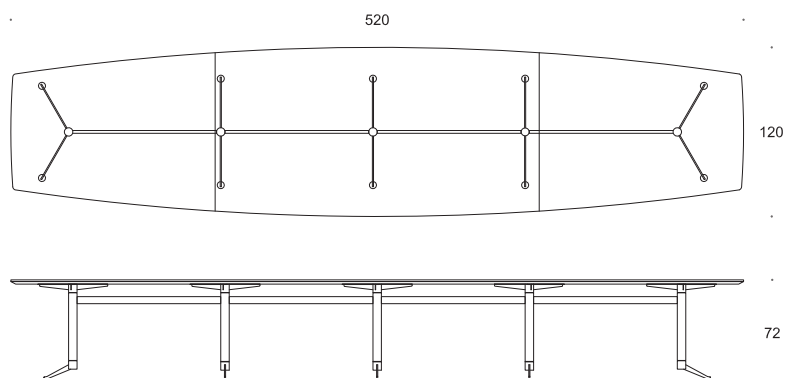
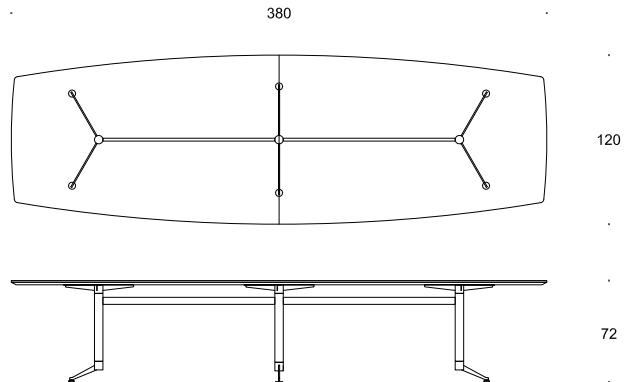
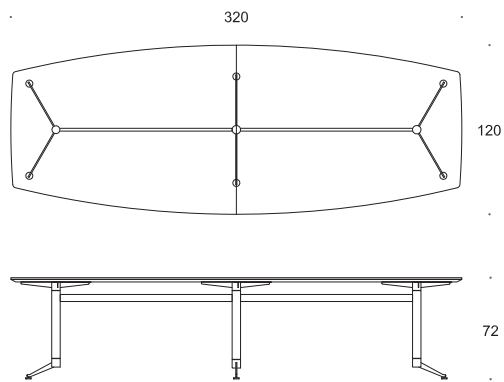
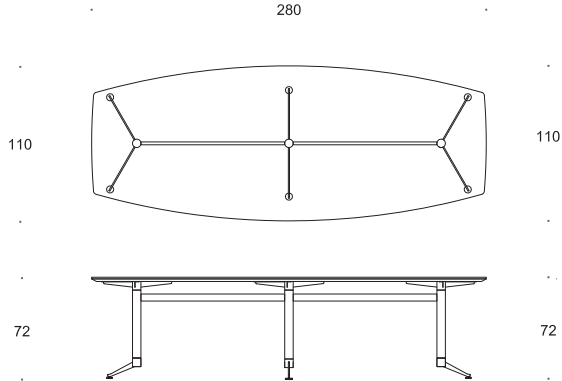
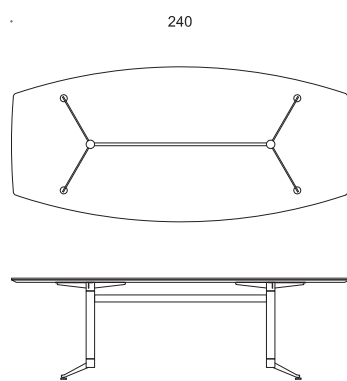
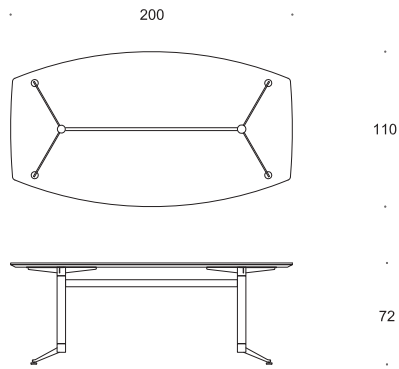
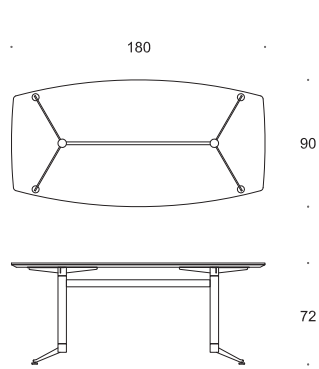


72



72

BOAT SHAPE



Paustian
Spinal
Table
Standard
Design
Paul Leroy

paustian

